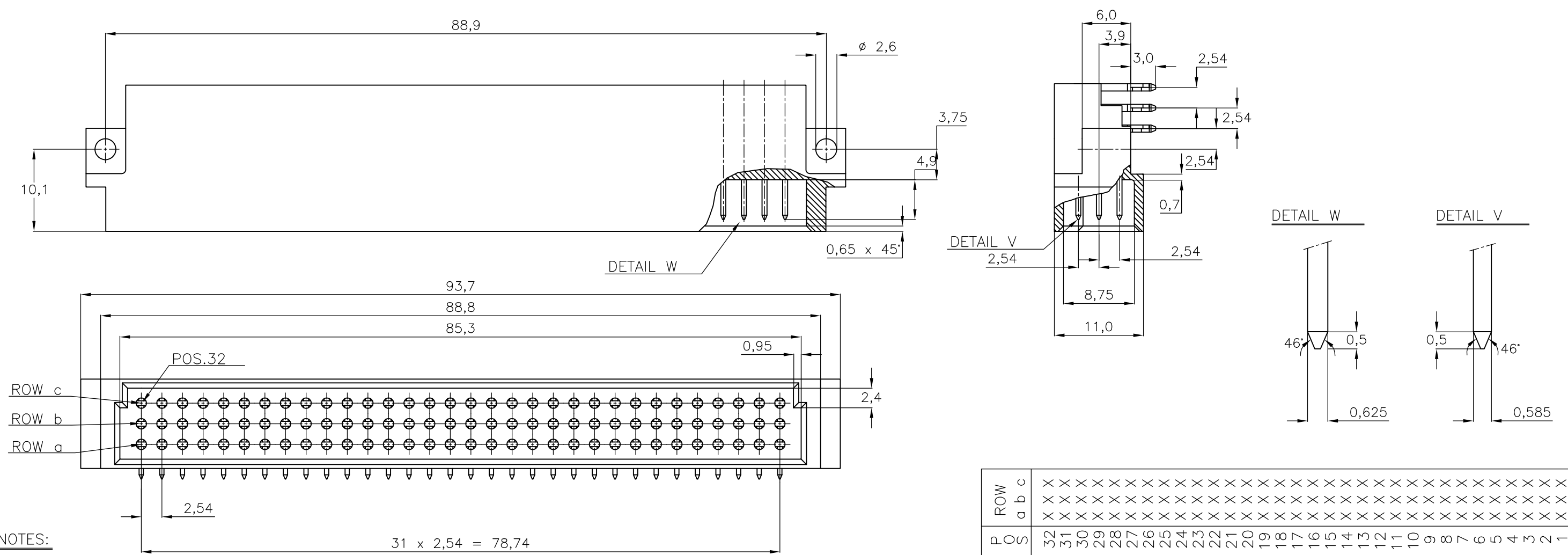


THIS DRAWING IS UNPUBLISHED. RELEASED FOR PUBLICATION
 © COPYRIGHT - BY TYCO ELECTRONICS CORPORATION. ALL RIGHTS RESERVED.

LOC	DIST	REVISIONS					
		P	LTR	DESCRIPTION	DATE	DWN	APVD
H	-		C	EH-0927-95	03-08-95	JG	-
			D	EH-1254-96	13-06-97	JG	-
			E	ECR-07-011431	05-06-07	BSV	MKO

P.C.B. HOLE DIM. ACTION PIN
 DRILLED HOLE :1,15 ±0,025 mm
 FIN. HOLE :0,94 to 1,09 mm
 AFTER REFLOW :0,91 to 1,09 mm
 Cu-thks :0,025 to 0,075 mm
 Sn-thks :0,004 to 0,010 mm



- NOTES:
- 1 MATERIAL:
 - HOUSING: THERMOPL.POLYESTER COLOUR : GREY
 - CONTACTS: PHOSPHORBRONZE
 - 2 PLATING CONTACT :
 - 1 : 1,25 µm Au OVER 1,25 µm Ni AT CONNECTOR MATING SIDE. 2,54 µm Sn OVER 1,25 µm Ni AT ACTION-PIN AREA.
 - 4 : 0,8µm Au OVER 1,25 µm Ni AT CONNECTOR MATING SIDE. 2,54 µm Sn OVER 1,25 µm Ni AT ACTION-PIN AREA.
 - 7 : 2,0 µm Au OVER 1,25 µm Ni AT CONNECTOR MATING SIDE. 2,54 µm Sn OVER 1,25 µm Ni AT ACTION-PIN AREA.
 - 8 : 0,4µm Au OVER 1,25 µm Ni AT CONNECTOR MATING SIDE. 2,54 µm Sn OVER 1,25 µm Ni AT ACTION-PIN AREA.
 - 9 : SAME AS -4 EXCEPT WITHOUT Sn

OBSOLETE	SEE NOTE 2	SEE NOTE 1	215605-9
OBSOLETE	SEE NOTE 2	SEE NOTE 1	215605-8
OBSOLETE	SEE NOTE 2	SEE NOTE 1	215605-7
	SEE NOTE 2	SEE NOTE 1	215605-4
	SEE NOTE 2	SEE NOTE 1	215605-1
	SEE NOTE	MATERIAL	PARTNUMBER

THIS DRAWING IS A CONTROLLED DOCUMENT.

DWN R.v.LOKVEN	16DEC86	Tyco Electronics Corporation 's-Hertogenbosch, Nederland	
CHK J.GIBBELS	-	NAME	
APVD -	-	NAME	
PRODUCT SPEC -	-	96 POS. DIN 41612 TYPE C-MALE CONN. WITH ACTION PIN FOR 1,6 P.C.B. THK'S	
APPLICATION SPEC -	-	SIZE A3	CAGE CODE 00779
MATERIAL -	FINISH -	DRAWING NO C-215605	RESTRICTED TO -
CUSTOMER DRAWING		SCALE NTS	SHEET 1 OF 1
			REV E